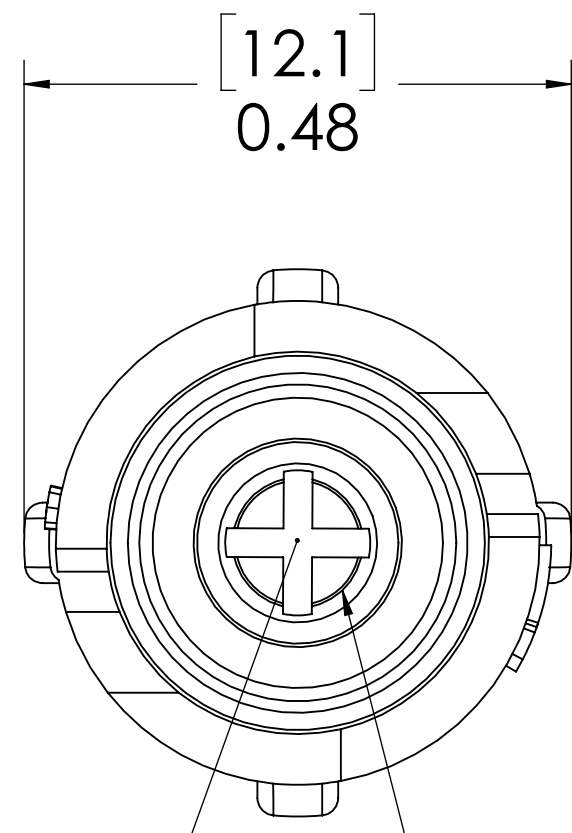
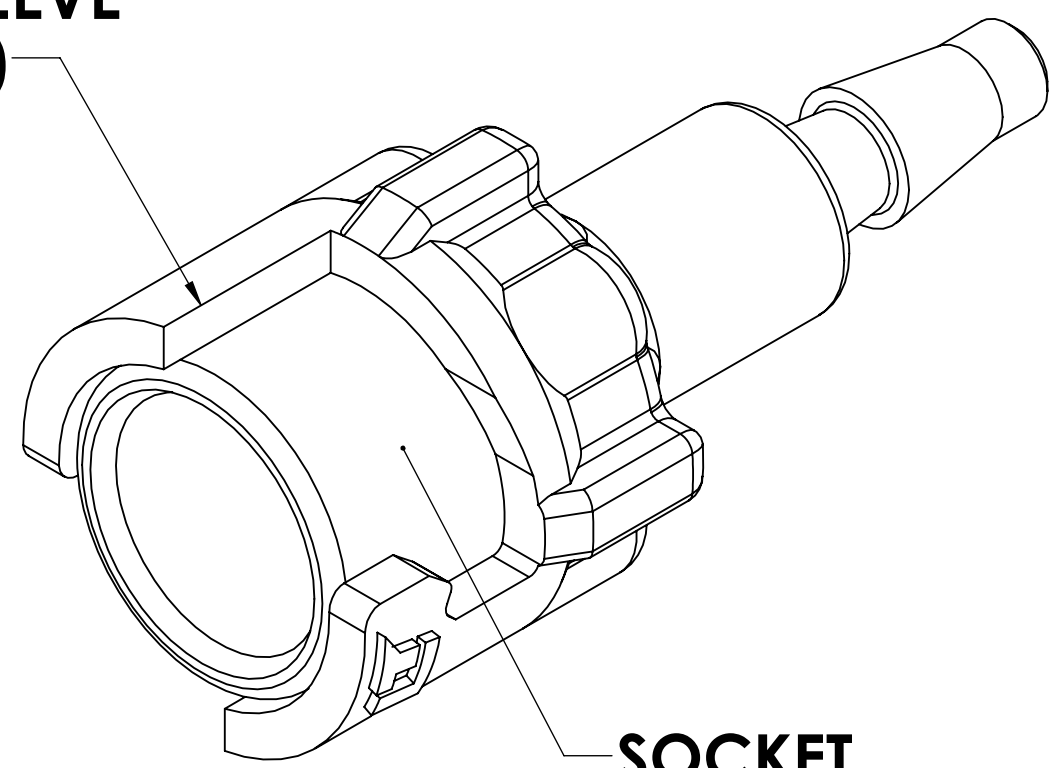


| REVISIONS |      |      |       |                 |           |          |
|-----------|------|------|-------|-----------------|-----------|----------|
| SHEET     | ZONE | REV. | ECO   | DESCRIPTION     | DATE      | APPROVED |
| 1         | ALL  | A    | 50307 | INITIAL RELEASE | 2/18/2020 | HRC      |

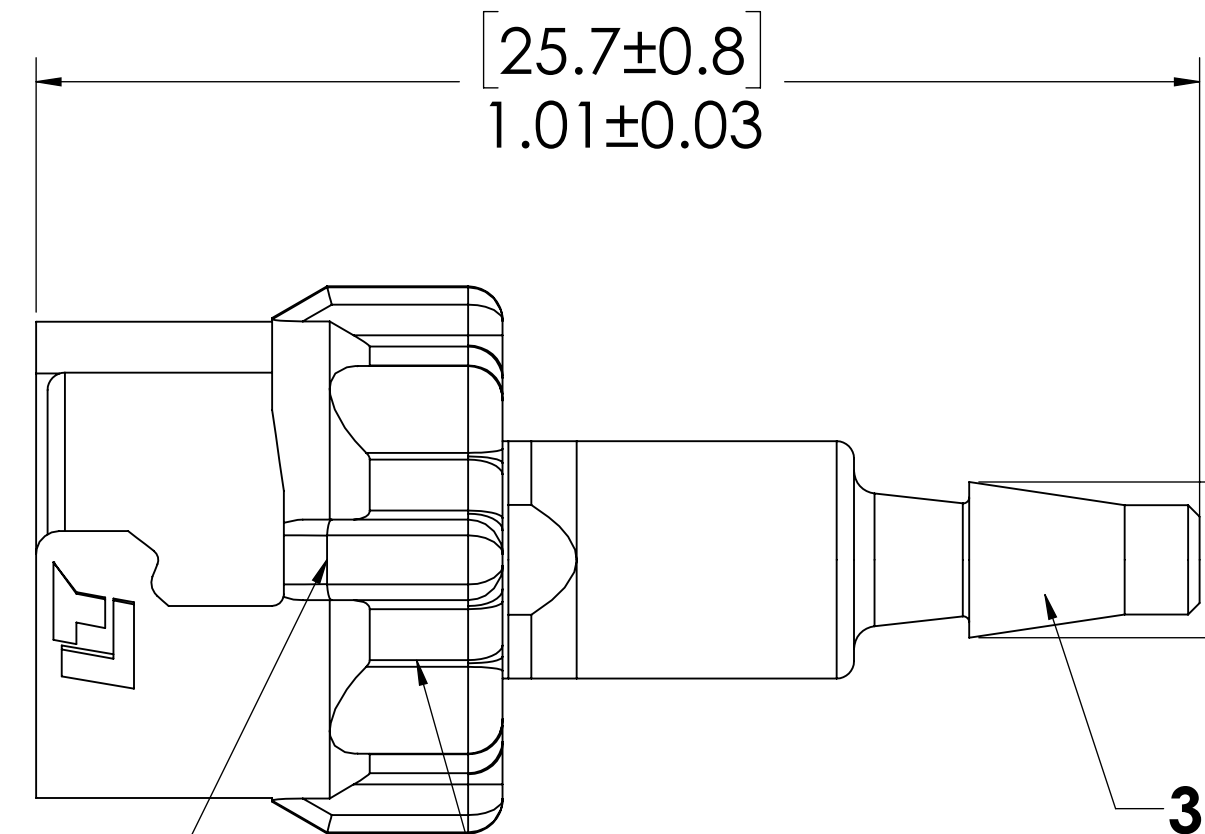
**LOCK SLEEVE  
(ACETAL)**

**SOCKET  
(ACETAL)**



**VALVE  
(ACETAL)**

**VALVE CAP  
INTERNAL  
(STAINLESS STEEL)**




**VALVE SPRING  
INTERNAL  
(STAINLESS STEEL)**

**VALVE O-RING  
INTERNAL  
(BUNA-N)**

**3MM TUBE ID**

- NOTES:**
- MATERIAL: ACETAL
  - COLOR: BLACK
  - O-RING MATERIAL: BUNA-N
  - O-RINGS LUBRICATED WITH FOOD GRADE SILICONE OIL, 350 CST.

**FOR REFERENCE ONLY**

|   |                    |            |                 |   |
|---|--------------------|------------|-----------------|---|
| <small>UNLESS OTHERWISE SPECIFIED:<br/>DIMENSIONS ARE IN INCHES<br/>TOLERANCES:<br/>FRACTIONAL ± 1/32<br/>ANGULAR: MACH ± 0.5 BEND ± 2<br/>ONE PLACE DECIMAL ± 0.1<br/>TWO PLACE DECIMAL ± 0.01<br/>THREE PLACE DECIMAL ± 0.005<br/>TWO PLACE DUAL (mm) [± 0.12]</small>            | DRAWN              | <b>RDA</b> | <b>2/6/2020</b> | <br><b>LINKTECH</b><br><small>DRINK EQUIPMENT TECHNOLOGY, LLC</small><br><b>PART NO:</b><br><b>10ACV-SB2-M3BLK</b> |
|   | CHECKED            | <b>HRC</b> | <b>2/6/2020</b> |   |
|   | ENG APPR.          | <b>HRC</b> | <b>2/18/20</b>  |   |
|   | MFG APPR.          | <b>BDB</b> | <b>2/18/20</b>  |   |
| <small>PROPRIETARY AND CONFIDENTIAL<br/>THE INFORMATION CONTAINED IN THIS<br/>DRAWING IS THE SOLE PROPERTY OF<br/>LINKTECH LLC. ANY REPRODUCTION<br/>OR DISCLOSURE IN PART OR AS A<br/>WHOLE WITHOUT THE WRITTEN<br/>PERMISSION OF LINKTECH LLC IS<br/>STRICTLY PROHIBITED.</small> | PRODUCTION         | <b>LS</b>  | <b>2/18/20</b>  | <small>DESCRIPTION:</small><br><b>LinkTech 10AC Series Inline Coupling,<br/>Valved, 3mm HB Molded Black</b>   |
|   | COMMENTS:          |            |                 | <small>SIZE DWG. NO. REV</small><br><b>C 10AC100126 A</b>   |
|   | SCALE: NTS WEIGHT: |            |                 | SHEET 1 OF 1  |